

AirLine & AirLine LED

Inline axial extract fan systems for shower cubicles

Airline100 is an accredited bathroom/en-suite & toilet extract fan under the Green Homes Compliance scheme

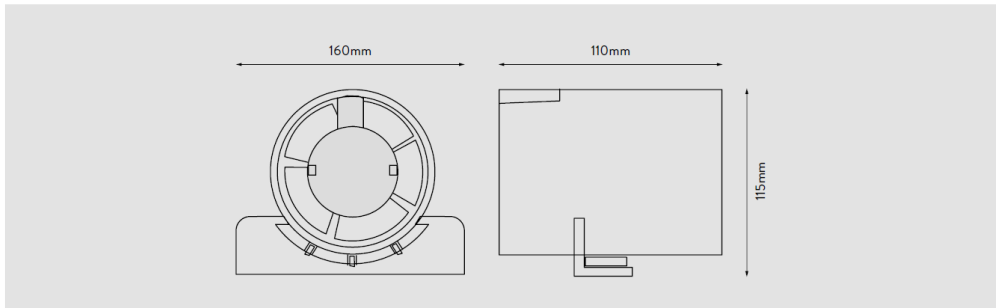


Clearing excess steam in the bathroom is no longer a problem with the Xpelair AirLine and its perfectly optimised impeller design. It gives you high-level performance and meets Building Regulations Part F – even when installed with ducting and an external grille. The AirLine system also has the benefit of being installed up and out of the splash zone in the loft, helping to keep noise levels to a minimum.



Key Features

- Single speed
- Airline LED comes complete with cool white light and SELV transformer
- Supplied with loft fitting kit
- Complies with building regulations Part F for bathrooms
- IP rating - IPX4
- 2 year UK manufacturer guarantee



Product Selector		Standard	Timer (adjustable 2 – 30mins)	Integrated LED Light	Electrical Power Rating (W)	Extract Performance (FID, m ³ /h)	Extract Performance (FID, l/s)	Sound Pressure Level (dBA@3m)	Duct Diameter (mm)
Model									
AL100	93288AW	✓			16	85	24	40	100
AL100T	93289AW		✓		16	85	24	40	100
ALL100	93290AW	✓		✓	19	85	24	40	100
ALL100T	93291AW		✓	✓	19	85	24	40	100

