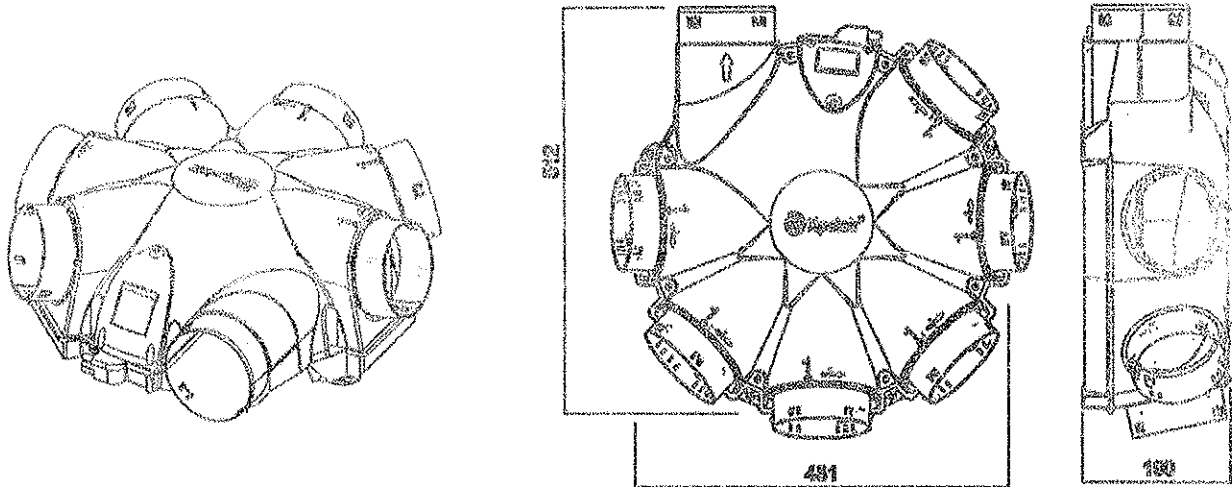




Xplus 2

Multi Point Ventilation Unit



Information on Maintenance and Operation:

For the Householder:

Your home has been fitted with a mechanical ventilation system. The system should consist of a Xplus 2 central mechanical extract fan, ducting, discharge grille and extract values in the wet rooms, kitchen, bathroom and toilet. The correct working system will provide a healthy indoor atmosphere and will help eliminate condensation and unwanted odours.

The Xplus 2 system is (or can be) fitted with a 3 position switch. The high speed setting is a boost position for the extract of cooking smells or moisture-laden air when this is in use it is advisable to open window vents or a window to provide replacement air. The middle position would be the normal running position in a house with the low speed position as a background position if the house is not fully occupied. In a smaller dwelling or flat the low speed position could be the normal running position with the middle position as boost.

The fan is designed to run continuously 24 hours a day. It is fitted with an energy efficient electronic motor.

Maintenance

In normal running conditions the fan attracts very little dirt. It may be advisable to have the unit inspected by your installer annually and clean if necessary (Making sure that water does not get into the motor or electrical termination box).

Safety:

This appliance is not intended for use by persons (including children and the infirm) with reduced physical, sensory or mental capabilities, or lack of experience and knowledge, unless they have been given supervision or instruction concerning use of the appliance by a person responsible for their safety.

Children should be supervised to ensure that they do not play with the appliance.

CE-Conformity:

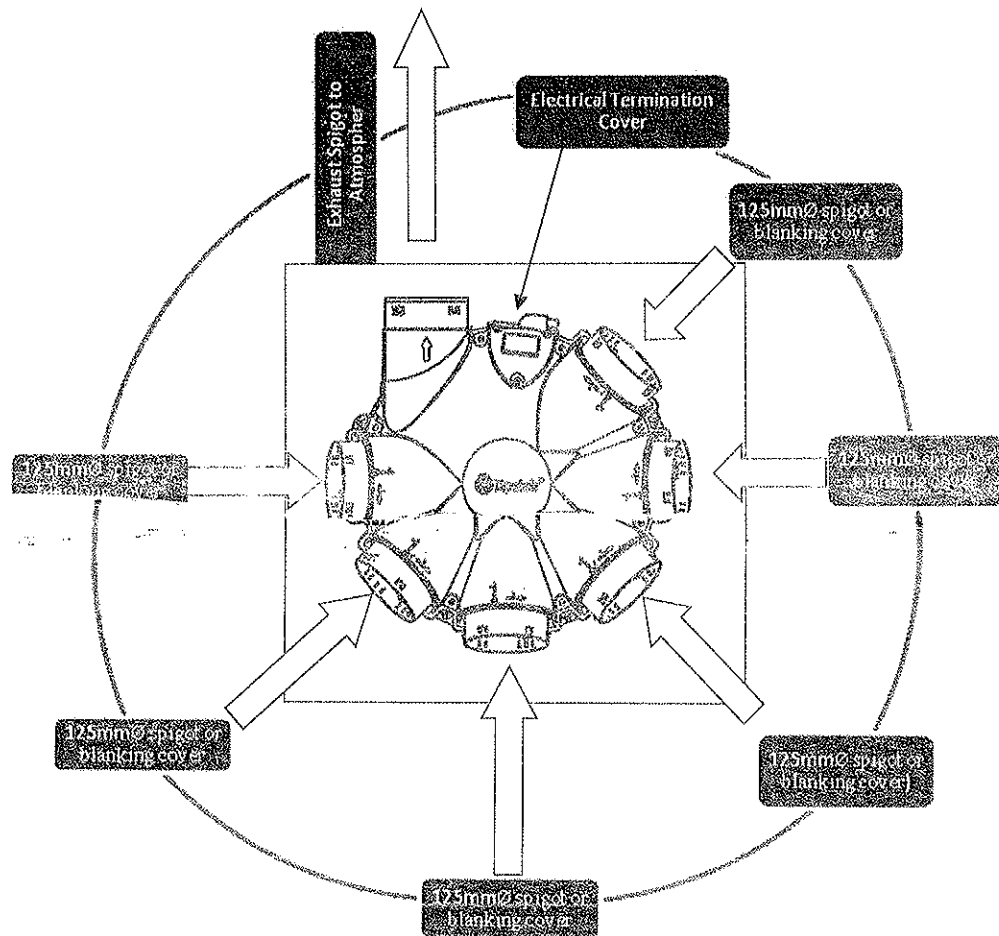
This unit meets all relevant CE standards.

Characteristics:

The electric motor and fan are enclosed in the ventilator casing. Attached to the casing is up to 6 – 125mmØ extract spigots or blanking covers. Air is exhausted through 1 – 125mmØ spigot built into the casing.

Setting up the Xplus 2 and planning the system layout:

Example installation:



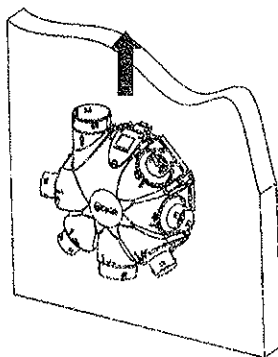
Installation:

The installation should aim to minimise resistance and prevent any leakage in the ducting. Where possible the use of flexible ducting should be minimised and should be connected using a short section of flexible ducting (no greater than 0.5 meters).

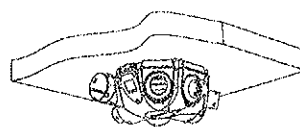
If installing in position where condensation is likely to run backwards into the fan you will need to use a suitable condensation trap or ensure the discharge ducting has a fall towards the external extract grille.

Orientation of the Unit:

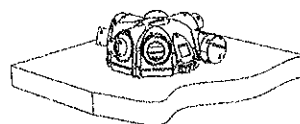
The unit is designed to be screwed down to a robust impermeable surface horizontally, vertically, or inverted as shown below.



In the vertical position:
The outlet must face vertically



Ceiling Mounted



Horizontal position (Recommended)

Position of air inlet grilles:

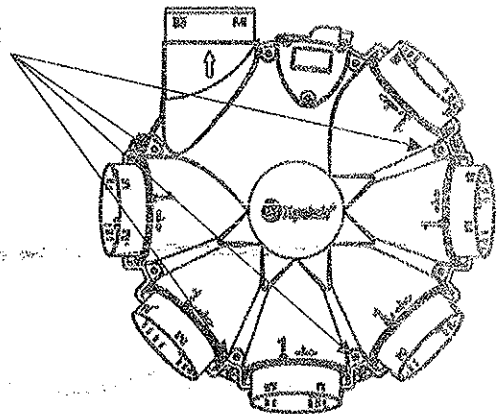
- As far as possible from and opposite to the main source of air replacement to ensure air flow across the room (e.g. opposite an internal doorway).
- Near the source of steam or odours.
- Not where ambient temperatures are likely to exceed 50°C, or above a cooker hob or eye level grille.
- If installing in a room containing a fuel burning device, it's the installer's responsibility to ensure that there is adequate replacement air to prevent fumes being drawn down the flue when the fan is operating.
- Exhaust air must not be discharged into the flue used for exhausting fumes from appliances supplied with energy other than electricity. Requirements of all authorities concerned must be observed for exhaust discharge.
- The inlet grilles should be situated at least 5.0 meter distance from the discharge outlet of a flued heating or cooking appliance.
- For guidance on installation please refer to Xpelair's online installation guide.

Position of the discharge grille atmosphere:

- At least 2.0 meters away from open door or window, or the inlet of another ventilation device.

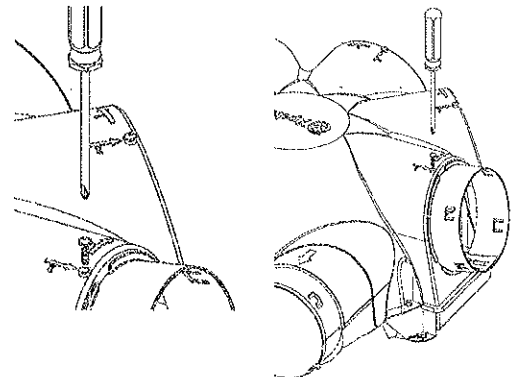
The fan must always be firmly fixed, ensure the Xplus 2 unit is installed by either of the two methods listed below:

- Using wood screws fixed through the corner of the ventilator box
- Using threaded bolts in the notched holes.



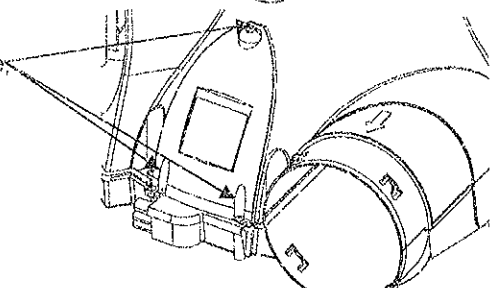
Connecting the Spigots and Ducting

- Select the spigot required to suit the ventilation requirements: (125mmØ spigot or blanking cover)
- Place a worm drive clip over the flexible duct (not supplied).
- Fix the flexible ducting to the spigot by tightening the worm drive clip (not provided).
- Align the four locating tabs on the spigot and insert the spigot into the unit.
- Once the spigot is flush with the unit turn the spigot clock wise until it locks firmly into position (approximately 30 degrees)
- Using the one of the screws provided lock the spigot into place and gently tighten the worm drive to create a good seal.
- If an extract spigot(s) is not required they should be blanked off with one of the blanking covers provided and seal with sealant. The blanking cover should be fixed into position with a locking screw provided.



Removing electrical termination cover:

Loosen the 3 captive screws holding the electrical termination cover until they release.



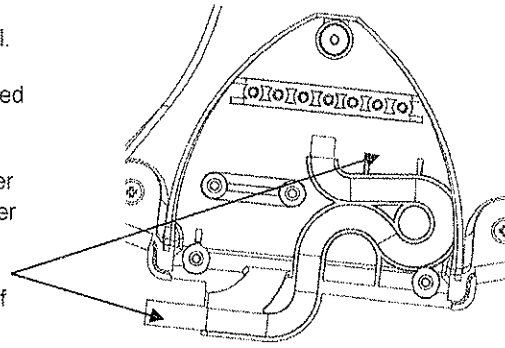
Power and Control Cables:

The double insulated cable used should be appropriately specified for specific applications by a qualified professional.

The cable used in the product (not supplied) should be routed through the labyrinth provided.

The outside diameter of the cable must be greater than 4.5mm and less than 6.5mm, with a core size of greater than 0.5mm².

Ensure the cable is securely fitted inside the entire length of the labyrinth:

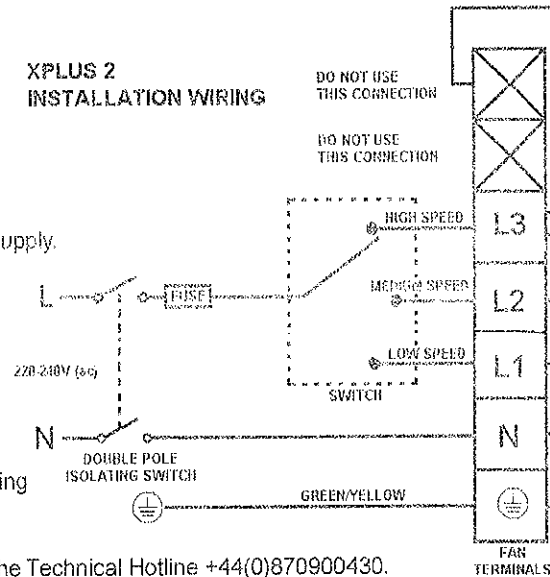


Wiring Installations:

- All installations must be supervised by a qualified electrician.
- Installations and wiring must conform to current IEE regulations (UK), local or appropriate regulations (other countries).
- A means for disconnection must be incorporated in the fixed wiring in accordance with the wiring rules.
- Check that the electrical rating shown on the fan matches the mains supply.
- **WARNING: THIS APPLIANCE MUST BE EARTHED.**
- This appliance is intended for connection to fixed wiring.

1. Switch off the mains electrical supply and remove all fuses before commencing wiring.
2. Wire the fan as shown below diagram.
3. Refit the electrical termination cover.
4. Connect the cable from the isolating switch to the electrical supply wiring
5. Refit fuse before turning on the electrical supply

XPLUS 2 INSTALLATION WIRING



If you have any queries regarding the installation of this product please call the Technical Hotline +44(0)870900430. Our engineers are there to help during normal office hours (UK only) and maybe faxed at all times on +44(0)8709000530.

Customers outside the UK please contact your local Xpelair distributor, details of which are available from the UK office.

- Read all the instruction leaflet before commencing installation
- Ensure the mains supply is switched off before attempting to make electrical connections or carry out any maintenance or cleaning.

Guarantee

Customers outside the UK- see international below.

UK: Xpelair Xplus 2 is guaranteed against defects for 2 years from the date of purchase. Please keep your purchase receipt

If you have any problems, contact the Xpelair Head Office at the address shown below.

Technical advice and service

Customers outside the UK- see international below.

UK: Xpelair have a comprehensive range of services including:

- Free technical advice help-desk from engineers on all aspects of ventilation.
- Free design service, quotations and site surveys
- Service and maintenance contracts to suit all requirements.

Please ask for details:

- By telephone on Techline: +44(0)8709000430
- By Fax on Techfax: +44(0)8709000530
- At the address shown

International:

Guarantee: Contact your local distributor or Xpelair direct for details

Technical Advice and Service: Contact your local Xpelair distributor.



Applied Energy Products Ltd
Morley Way, Peterborough, PE2 9JJ
t 01733 456789
f 01733 310606
www.applied-energy.com

Xpelair is a registered trademark of Applied Energy Products Limited. Applied Energy Products reserve the right to alter products specifications or appearance without prior notice. All finishes and diagrams in this booklet are as accurate as printing processes allow.